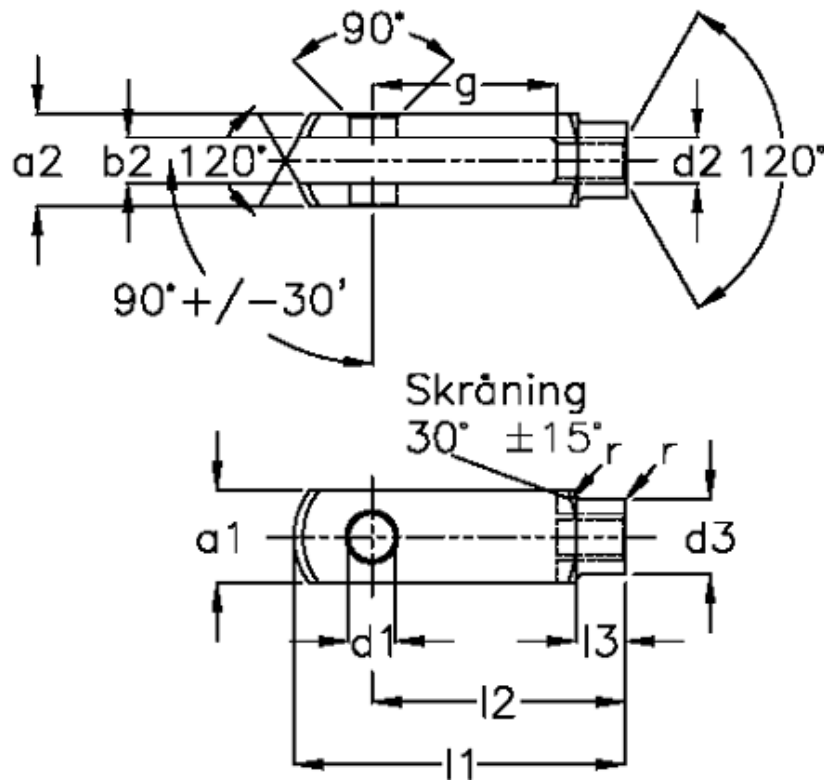


Article number: 1405306121

Description: KLEE St. steel Fork joint G 6x12
M6x1, right

Measures



a1 (h11)	= 12	g (+/-0.5)	= 12
a2	= 12 (+0,3 -0,16)	l1 (+/-0.5)	= 31
b1 (B13)	= 6	l2	= 24 (-0,3)
b2	= 6 (B13)	l3	= 9 (+/-0,2)
d1 H9	= 6	r	= 0.5
d2	= M 6 x 1	Size	= G 6 x 12
d3 (+/-0.3)	= 10	Weight	= 0.015
f (+/-0.2)	= 0.5		